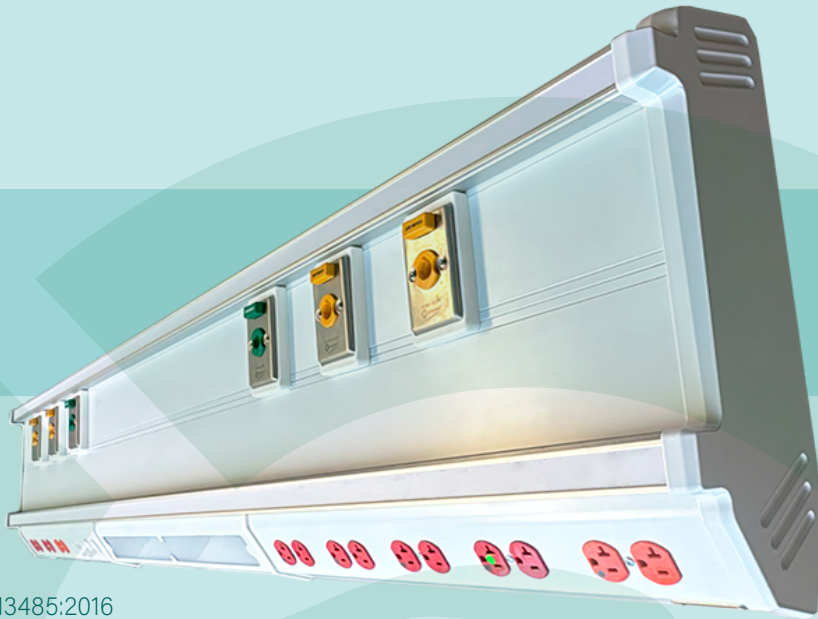


Medical Horizontal BedHead Unit

4VR Model

technical
brochure
Architectural



aro

ISO 9001:2015, ISO 13485:2016

Materials:

- **Structure:** Aluminium special extruded profile alloy 6063 Temper 5, immeeting **ASTM B221-02/AA** standarts.
- **Front (2), Upper and Lower Panels:** Aluminium special extruded profile alloy 6063 Temper 5, pressing self-supporting (eclippable), meeting **ASTM B221-02/AA** standarts.
- **Upper and lower service rails:** Support and sliding of auxiliary medical equipment, included into the aluminium profile construction.

Finishing:

- **Structure:** Natural anodized or powder coating finish with many variety of colors, or antibacterial coating option only in white color.
- **Front (2), Lower and Upper Service Panels:**
 - 1) Aluminium profile powder coating finish or sublimated type wood imitation finish.
- **Configurations:**
 - 1) Variable lengths for one or more beds, depends on the user's project needs. Dimensions of the structure are 0.40m high x 0.10m deep.

Patient Lighting:

- 60cm long T8 LED lamps with U.L., 4200°k color temperature, 110-220v 60-50hz power supply for the upper module (ambient lighting) and the lower module (reading lighting).
- Self-supporting, snap-in diffusers for panel luminaires made of special extruded transparent polycarbonate profiles with lighting guides.
- Includes U.L. certified electrical switches to control patient lighting module.



To 1 or multiple service beds.

Installation must be performed by personnel with current ASSE6010 and ASME BRAZER IX certification.
(Medical gas systems installer and qualified oxy-acetylene welder)

Intellectual Property Notice: All rights reserved. This document is the intellectual property of the content and images of GRUPO ARIGMED S. DE R.L. DE C.V. Any type of copy, similarity or plagiarism will be subject to pertinent legal action to prevent its use by unauthorized persons or organizations, as well as to compensate the damage caused to the author.



GRUPO ARIGMED S. DE R.L. DE C.V. TIZAYUCA, ESTADO DE HIDALGO, MÉXICO
www.arigmed.com Grupo Arigmed Gases Medicinales ventasmx@arigmed.com +52-779-7969-370



ENG VER. 2

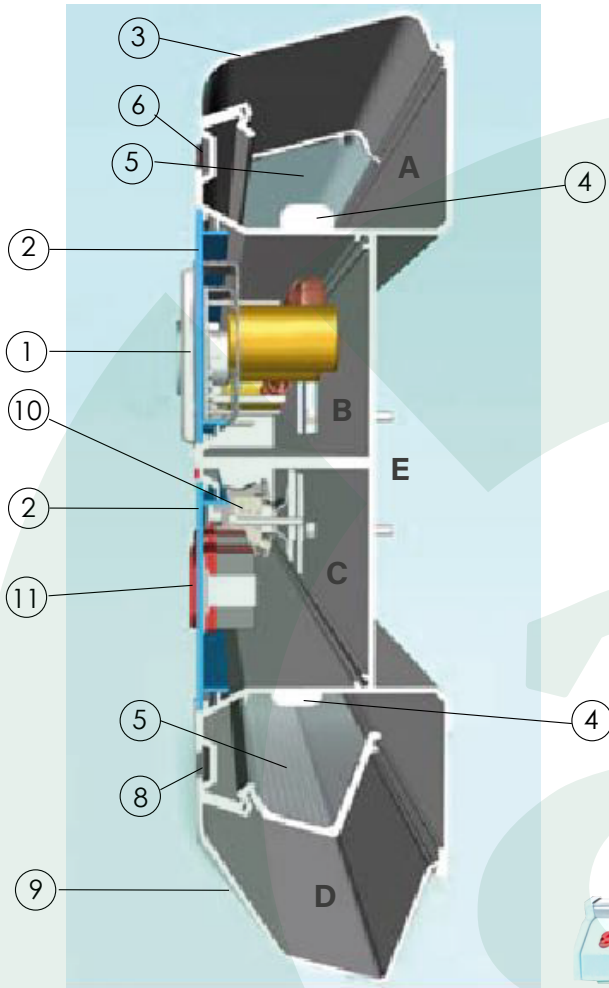
Medical Horizontal BedHead Unit

4VR Model

technical
brochure
Architectural



Side View Cut.



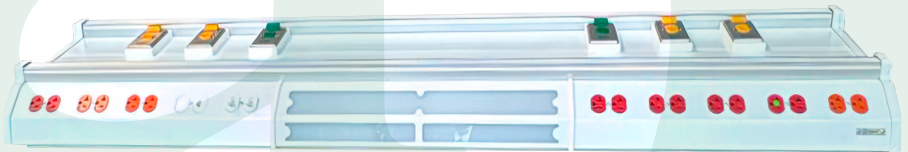
item	Description
1	Medical Gas Outlets
2	Aluminium front panels (2)
3	Upper aluminium panel
4	LED T8 lamp
5	Lamp diffuser
6	Upper horizontal service rail
7	Aluminium endcaps
8	Lower horizontal service rail
9	Lower aluminium panel
10	Twin electrical switch
11	Electrical Outlet

Internal Channels	
A	Upper channel to lighting
B	Middle channel to Medical Gases
C	Middle channel to electrical, voice, data
D	Lower channel to lighting, elect, voice, data
E	Rear channel to piping and wires

Upper Iso View.



Lower View.



Electrical Outlets:

It can support different models and types of electrical outlets meeting with international and local electrical codes, types B, F, L, N, etc., as long as its size does not exceed the internal channels of the bedhead unit.

Internal Channels:

With 4 front internal channels + 1 rear internal channel (5 total channels), for electrical, voice, data wire installation, medical gas piping, circuits, lamps and lighting accessories, etc., in solid-state channels (without removable separators).

The channels are included in the construction of the patient panel's structural aluminium profiles.

Medical Gas Outlets:

It can support ARIGMED models and/or those from other manufacturers, for assembly on the front section of the patient panel; It can include a 13mm and 19mm rigid copper pipe, type "K" or "L" (upon specification).

Rail Accesories:

Supports to: *Vacuum bottles, *Venoclysis, *Patient monitors, *Infusion pumps, *Medical I.D. systems and medical notes, *Medical wire support baskets, etc.

Certifications:

ISO 11197:2019 Medical Supply Units



Underwriters Laboratories

*According to NFPA99 (Section 5.1.6) and ISO 11197 exclusively for medical gas equipment and components, electrical and lighting systems that were assembled and assembled at the factory.
If the equipment is installed with non-original components and/or with modifications and changes carried out by third parties, GRUPO ARIGMED is responsible for all liability that may cause injuries and damages to people and property, and the factory certifications and warranties will be automatically voided.



GRUPO ARIGMED S. DE R.L. DE C.V. TIZAYUCA, ESTADO DE HIDALGO, MÉXICO

www.arigmed.com Grupo Arigmed Gases Medicinales ventasmx@arigmed.com +52-779-7969-370

